

Audial

Model A

Stereo Amplifier

User Manual

Rev.0, January 2014

Audial d.o.o Belgrade, Serbia
www.audialonline.com, info@audialonline.com

IMPORTANT PRECAUTIONS

1. Do not expose this device to rain or moisture, excessive heat or mechanical force.
2. Use this device exclusively with specified mains voltages.
3. Unplug the device from the wall outlet during a lighting storm.

To prevent the risk of electric shock, do not remove the cover!
This device contains no user serviceable parts inside.
Refer servicing to qualified servicing personnel only.



The lightning flash with arrowhead symbol within an equilateral triangle is intended to alert the user to the presence of uninsulated “dangerous voltage” within the product’s enclosure that may be of sufficient magnitude to constitute a risk of electric shock to persons.

The exclamation point within an equilateral triangle is intended to alert the user to the presence of important operating and maintenance (servicing) instructions in the literature accompanying the product.

Thanks for choosing Audial Model A amplifier. We hope you will find its sound quality a reference for years to come.

This manual comprises introducing information on use and performance of Model A. For further information please refer to the Audial web site, www.audialonline.com/model-a/ , www.audialonline.com/online-topics-model-a/ , or send your questions to info@audialonline.com.

Getting started

Model A is relatively simple to use and, provided it is used within its limits, it requires no special care in everyday operation.

It is normally operational, and achieves claimed specifications right from the start, though it still needs 10 - 15 days of burning in to perform its best in subjective sonic terms. Afterwards, it is generally enough to leave it powered on for half an hour before critical listening.

It is not harmful if Model A is left constantly powered on, however general recommendation to turn such devices off whenever out of home applies regardless.

Also, it is important not to block opening holes at the back plate, as they provide air circulation into and from unit interior, thus providing proper cooling.

Other than amplifier itself, a packing box comprises mains cable. This cable is industry standard one, and its purpose is to make a unit instantly operable. However to utilize the most of Model A sonic potential, use of a higher quality mains cable is highly recommended.

Connections

No special knowledge is required to connect Model A into the system.

Mains connector is standard IEC C14 (cable is supplied, as stated above), and is located at the back panel.

Input connectors are RCA. Audial offers several options regarding Model A input. It can be one or two inputs amplifier, with or without volume control, and volume control can be low impedance or standard one. When using low impedance volume control, Model A input impedance gets as low as 750 Ohm, and you should make sure

that your source is able to perform well with such a load.

Output loudspeaker connectors are binding posts, and they accept majority of cables, spades or banana plugs.

Model A does not invert polarity (absolute phase). Hence with source that also does not invert polarity the speakers should be wired in phase, so black to black (ground), and red to red (live / hot).

Support

Basic use of Audial Model A is simple. It has two switches (power on/off and input selector) located at back, and power LED indicator and volume control knob located at front plate.

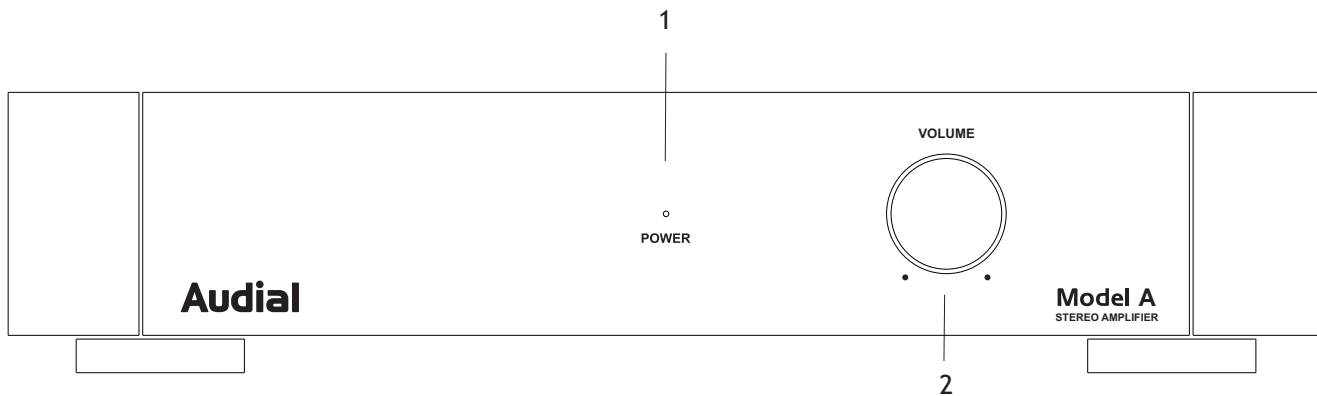
However, due to variety of systems it can be used in, it is impossible to provide all the required information on system integration by user manual. Customers are hence advised to contact Audial directly in this regard, whenever it is necessary, by email info@audialonline.com, or by Audial website contact form, www.audialonline.com/contact/.

Warranty

Audial claims proper working of this product for two years. Audial is obliged to correct any malfunction within this period, at no charge, either by competent repair service, or by swapping the sold unit with the new one.

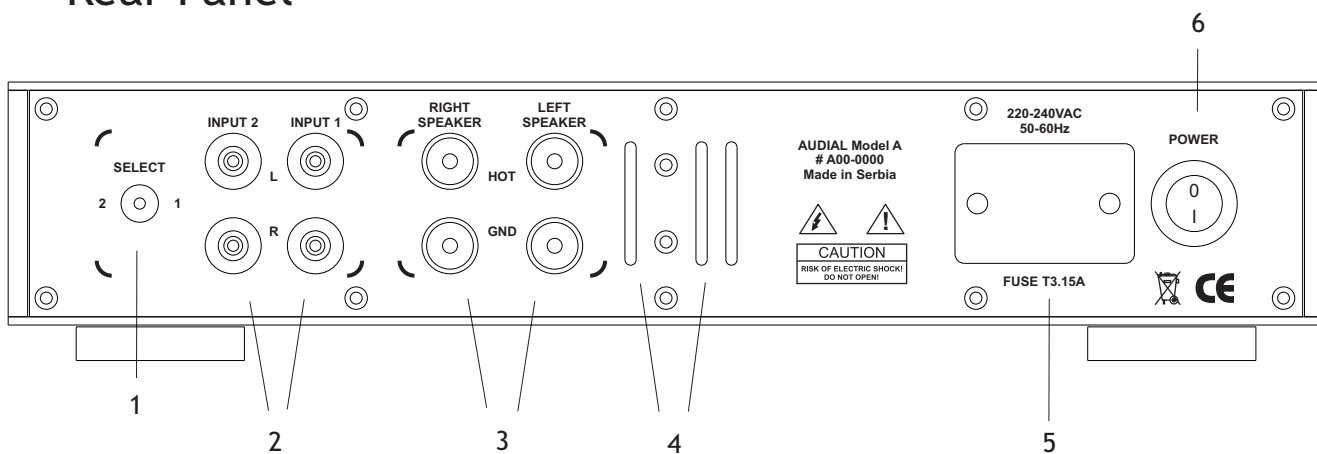
For the units sold directly by Audial, invoice is also guarantee certificate. Audial however maintains own data base of directly sold units, so original buyers normally will not actually need it. Warranty is also fully transferrable from original to subsequent owner(s), however in this case we will probably ask for the invoice.

Front Panel



- 1 - Power indicator
- 2 - Volume control knob

Rear Panel



- 1 - Input selector
- 2 - Input connectors (RCA)
- 3 - Output connectors
- 4 - Ventilation holes
- 5 - Mains connector (IEC C14) with fuse
- 6 - Mains switch

Specifications

INPUT:

RCA, one or two pairs, with or without volume control

INPUT SENSITIVITY:

1 V RMS is required for full power, typical

INPUT IMPEDANCE:

Several options are offered, with input impedances between 750 Ohm and 47 kOhm

POWER:

25 W / 8 Ohm, 40 W / 4 Ohm

50 W / 8 Ohm version is also available

GAIN:

29 dB, typical

FREQUENCY RESPONSE:

20 Hz - 100 kHz, +/- 0.5 dB, typical

The input is directly coupled, but amplifier is blocked for DC gain, for loudspeakers safety

ABSOLUTE PHASE:

Correct

HARMONIC DISTORTION (@ full power):

0.01% @ 1 kHz

0.04% across the audio band, worst case

INTERMODULATION DISTORTION (@ full power):

0.01%

MAINS VOLTAGE:

220-240VAC / 50-60Hz

110-120VAC / 50-60Hz is also available

DIMENSIONS (W x D x H):

352 x 255 x 75 mm

WEIGHT:

Approx. 6 kg

Specifications are subject to change without notice.

